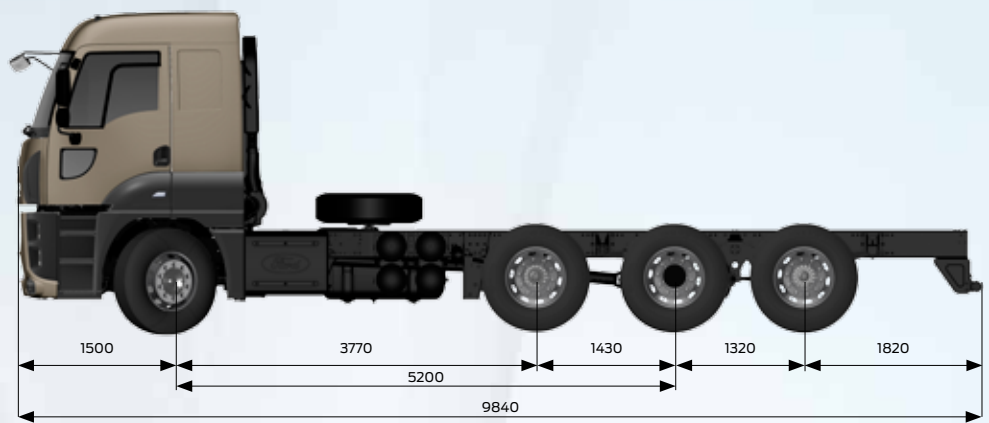
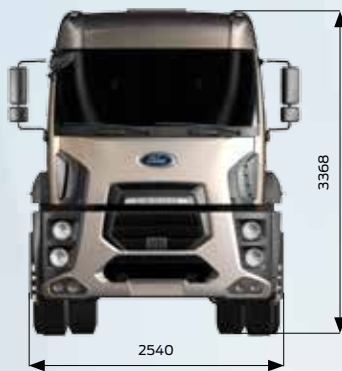


FORD TRUCKS 3233S HR EURO6



Basic Features

Vehicle Type	Road Truck
Axle	8x2
Emission	Euro 6
Cabin Type	High Roof Sleeper Cab
Wheelbase (mm)	5200

Engine

Type	Ecotorq 9 liters
Displacement (cc)	8974
Diameter x Stroke	115 mm x 144 mm
Power	330 PS (243 kW) @ 1900 rpm
Torque	1300 Nm @ 1200-1700 rpm
Compression Ratio	17,6 : 1
Oil Filling Volume	30 L
Coolant Volume	35 L

Transmission

Clutch	430 mm Single Disc
Manuel Transmission / Ratios (1.gear - 9. gear)	ZF 9S1310 (9,48 - 0,75)

Steering

Hema ZF 8098 servocom

Chassis

Chassis Thickness	7 mm with Reinforcement
Chassis Strength	355 MPa
Suspension (Front/Rear)	Parabolic Leaf Spring / Compensating Arm Mechanical Suspension
Axle	Standard single reduction
Axle Ratio	4,89
Tyres	315/80 R 22,5
Wheel Rim	22,5 x 9 Steel

Braking System

Brakes (Front/Rear) (Ø.mm x mm. Length)	430 x 45 - Disc Brake
Braking System	Dual Brake Circuit - Air Processing Unit with Integrated Oil Separator and Heater
Engine Brake Power	max. 220 kW (Engine Level)

Electrical System

Battery	24V, 2 x 12V 150 Ah
Alternator / Starter Motor	130 A / 6,5 kW

Tanks

Fuel Tank	550 L Aluminium
SCR Tank	78 L

Dimensions (mm)					
Front Overhang	1500				
Wheelbase	5200				
Overall Length	9840				
Distance Between 1 st and 2 nd Wheel Centers	3770				
Distance Between 2 nd and 3 th Wheel Centers	1430				
Distance Between 3 th and 4 th Wheel Centers	1320				
Overall Cab Length	2305				
Overall Vehicle Height	3368				
Overall Vehicle Width (Excluding Mirrors)	2540				
Chassis Width	866				
Rear Overhang	1820				
Useful Chassis Length	7223				
Chassis Height-Front	225				
Chassis Height-Rear	285				
Ground Clearance-Front	353				
Ground Clearance-Rear	358				
Turning Radius	10700				
Weights (kg)	1. Axle	2. Axle	3. Axle	4. Axle	Total
Technically Permissible Weights	7100	7100	12000	8700	32000
Kerb Weight	5023	1668	1907	1293	9891
Payload	2077	5432	10093	7407	22109
GVM (Legal)	7100	7100	9500	8500	32000

STANDARD EQUIPMENT

- Air Conditioner
- Auxiliary Cabin Heater (Dry Type)
- Radio/CD/MP3 Player
- Cruise Control
- Disc Brake
- Engine Brake
- Differential Lock
- Electronic Brake System (EBS) Including Anti-Lock Brake System (ABS)
- Hill Launch Assist
- Electrically Operated Windows
- Electrically Operated and Heated Side Mirrors
- Electrically Operated Headlight Leveling
- Rake and Reach Adjustable Steering Column
- Heated and Air Suspended Driver Seat
- Lumbar Support
- Manually Operated Sunroof
- Brake Lining Wear Sensor
- Immobilizer
- Single Key with Remote Control and Central Locking
- Home Safe Light
- Approach Light
- Front Fog Lamps
- Digital Tachograph
- Spare Wheel
- Tag Axle Lifting (Auto Drop Function)

OPTIONAL EQUIPMENT

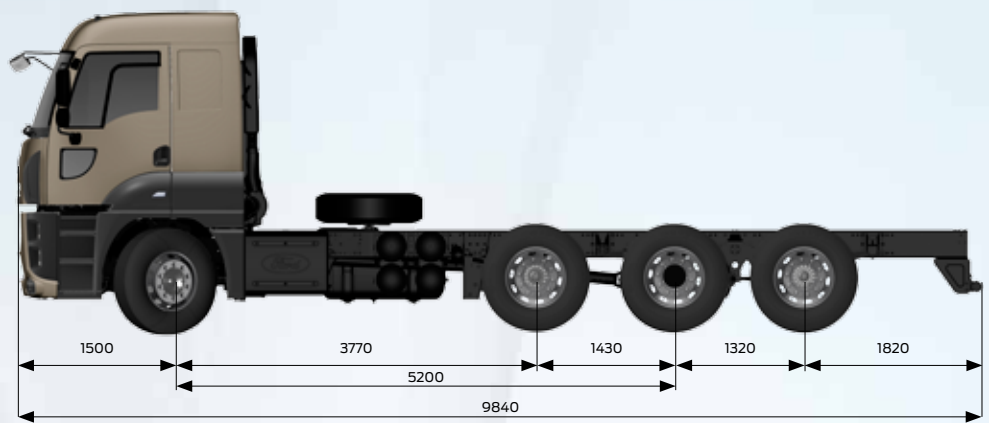
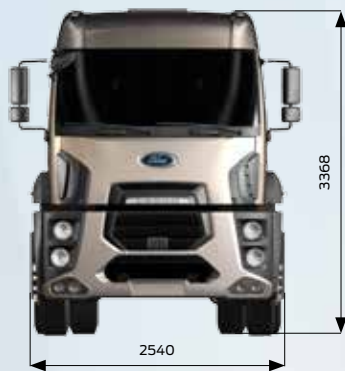
- Firefighter Pack
- Transmission Driven PTO & Interior Control Unit
- Engine Driven PTO & Interior Control Unit *
- ADR
- Cold Climate Pack
- Auxiliary Cabin Heater (Wet Type)
- Aluminium Alloy Wheels
- Power Cab Tilting
- Metallic Paint / Special Colors
- RHS Free 5900 Wheelbase Option **
- Rain Sensor
- Auto Light Sensor

* Available for Firefighter Pack Only

** Available with ADR and 250lt LHS Fuel Tank

This leaflet includes products designed for Ford vehicles. It provides information about the current technical specifications and the standard or optional accessories available as of the date it was issued. Features of standard and optional accessories of the vehicles may be changed from time to time. For this reason, please consult our Authorized Dealers to obtain updated and accurate information on the features of the vehicle you wish to buy. For the aforementioned reason, this leaflet does not constitute an assurance as to the specifications listed herein. The images used in this leaflet may be different from the vehicles on sale. The technical specifications provided herein are for standard vehicles. Selection of any optional accessories might cause differences from these specifications.

FORD TRUCKS 3233S HR EURO5



Basic Features

Vehicle Type	Road Truck
Axle	8x2 Self Steer
Emission	Euro 5
Cabin Type	High Roof Sleeper Cabin
Wheelbase (mm)	5200

Engine

Type	Ecotorq 9 liters
Displacement (cc)	8974
Diameter x Stroke	115 mm x 144 mm
Power	330 PS (243 kW) @ 1900 rpm
Torque	1300 Nm @ 1200-1700 rpm
Compression Ratio	17,6 : 1
Oil Filling Volume	30 L
Coolant Volume	35 L

Transmission

Clutch	430 mm Single Disc
Manuel Transmission / Ratios (1.gear - 9. gear)	ZF 9S1310 (9,48 - 0,75)

Steering

Hema ZF 8098 servocom

Chassis

Chassis Thickness	7 mm with Reinforcement
Chassis Strength	355 MPa
Suspension (Front / Rear)	Parabolic Leaf Spring / Compensating Arm Mechanical Suspension
Axle	Standard single reduction
Axle Ratio	4,89
Tyres	315/80 R 22,5
Wheel Rim	22,5 x 9 Steel

Braking System

Brakes (Front / Rear) (Ø.mm x mm. Length)	430 x 45 - Disc Brake
Braking System	Dual Brake Circuit - Air Processing Unit with Integrated Oil Separator and Heater
Engine Brake Power	max. 180 kW (Engine Level)

Electrical System

Battery	24 V, 2 x 12 V 150 Ah
Alternator / Starter Motor	130 A / 6,5 kW

Tanks

Fuel Tank	550 L Aluminium
SCR Tank	78 L

Dimensions (mm)	
Front Overhang	1500
Wheelbase	5200
Overall Length	9840
Distance Between 1 st and 2 nd Wheel Centers	3770
Distance Between 2 nd and 3 th Wheel Centers	1430
Distance Between 3 th and 4 th Wheel Centers	1320
Overall Cab Length	2305
Overall Vehicle Height	3368
Overall Vehicle Width (Excluding Mirrors)	2540
Chassis Width	866
Rear Overhang	1820
Useful Chassis Length	7223
Chassis Height - Front	225
Chassis Height - Rear	285
Ground Clearance - Front	353
Ground Clearance - Rear	358
Turning Radius	10700

Weights (kg)	1. Axle	2. Axle	3. Axle	4. Axle	Total
Technically Permissible Weights	7100	7100	12000	8700	32000
Kerb Weight	4996	1642	1889	1275	9802
Payload	2104	5458	1011	7425	22198

STANDARD EQUIPMENT

- Radio/CD/MP3 Player
- Cruise Control
- Disc Brake
- Engine Brake
- Electronic Brake System (EBS) and Anti-Lock Brake System (ABS)
- Hill Launch Assist
- Electrically Operated Windows
- Electrically operated and Heated Side Mirrors
- Electrically Operated Headlight Levelling
- Rake and Reach Adjustable Steering Column
- Heated and Air Suspended Driver Seat
- Lumbar Support
- Manually Operated Sunroof
- Brake Lining Wear Sensor
- Immobilizer
- Single Key with Remote Control and Central Locking
- Home Safe Light
- Approach Light
- Front Fog Lamps
- Digital Tachograph
- Spare Wheel
- Tag Axle Lifting
- Differential Lock

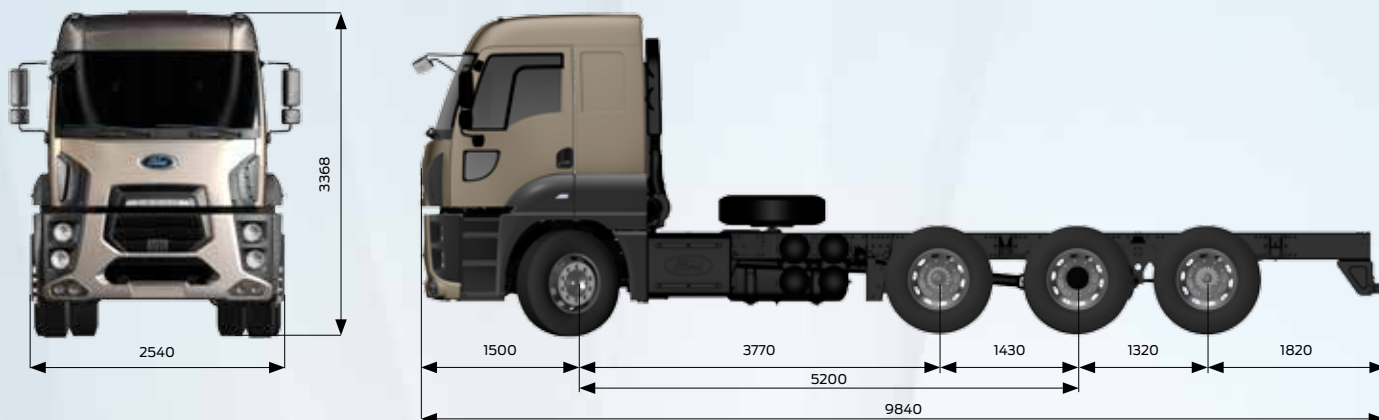
OPTIONAL EQUIPMENT

- Transmission Driven PTO Options & Interior Control Unit
- Engine Driven PTO & Interior Control Unit *
- ADR Pack
- Cold Climate Pack
- Auxiliary Cabin Heater (Wet Type)
- Auxiliary Cabin Heater (Dry Type)
- Aluminium Alloy Wheels
- Power Cab Tilting
- Metallic Paint / Special Colors
- RHS Free 5900 Wheelbase Option**
- Air Conditioner
- Rain Sensor
- Auto Light Sensor

*Available for Firefighter Pack Only

**Available with ADR and 250lt LHS Fuel Tank

FORD TRUCKS 3233S HR EURO3



Basic Features

Vehicle Type	Road Truck
Axle	8x2
Emission	Euro 3
Cabin Type	High Roof Sleeper Cabin
Wheelbase (mm)	5200

Engine

Type	Ecotorq 9 liters
Displacement (cc)	8974
Diameter x Stroke	115 mm x 144 mm
Power	330 PS (243 kW) @ 1900 rpm
Torque	1300 Nm @ 1200-1700 rpm
Compression Ratio	17,6 : 1
Oil Filling Volume	30 L
Coolant Volume	35 L

Transmission

Clutch	430mm Single Disc
Manuel Transmission / Ratios (1.gear - 9. gear)	ZF 9S1310 (9,48 - 0,75)

Steering

Hema ZF 8098 servocom

Chassis

Chassis Thickness	7 mm with Reinforcement
Chassis Strength	355 MPa
Suspension (Front/Rear)	Parabolic Leaf Spring / Compensating Arm Mechanical Suspension
Axle	Standard Single Reduction
Axle Ratio	4,89
Tyres	315/80 R 22,5
Wheel Rim	22,5 x 9 Steel

Braking System

Brakes (Front/Rear) (Ø.mm x mm. Length)	430 x 45 - Disc Brake
Braking System	Dual Brake Circuit - Air Processing Unit with Integrated Oil Separator and Heater
Engine Brake Power	max. 180 kW (Engine Level)

Electrical System

Battery	24 V, 2 x 12 V 150 Ah
Alternator / Starter Motor	130 A / 6,5 kW

Tanks

Fuel Tank	550 L Aluminium
-----------	-----------------

Dimensions (mm)					
Front Overhang	1500				
Wheelbase	5200				
Overall Length	9840				
Distance Between 1 st and 2 nd Wheel Centers	3770				
Distance Between 2 nd and 3 th Wheel Centers	1430				
Distance Between 3 th and 4 th Wheel Centers	1320				
Overall Cab Length	2305				
Overall Vehicle Height	3368				
Overall Vehicle Width (Excluding Mirrors)	2540				
Chassis Width	866				
Rear Overhang	1820				
Useful Chassis Length	7223				
Chassis Height - Front	225				
Chassis Height - Rear	285				
Ground Clearance - Front	353				
Ground Clearance - Rear	358				
Turning Radius	10700				
Weights (kg)	1. Axle	2. Axle	3. Axle	4. Axle	Total
Technically Permissible Weights	7100	7100	12000	8700	32000
Kerb Weight	4996	1642	1889	1275	9802
Payload	2104	5458	10111	7425	22198

STANDARD EQUIPMENT

- Radio/CD/MP3 Player
- Cruise Control
- Disc Brake
- Engine Brake
- Electronic Brake System (EBS) and Anti-Lock Brake System (ABS)
- Hill Launch Assist
- Differential Lock
- Electrically Operated Windows
- Electrically operated and Heated Side Mirrors
- Electrically Operated Headlight Levelling
- Rake and Reach Adjustable Steering Column
- Heated and Air Suspended Driver Seat
- Lumbar Support
- Manually Operated Sunroof
- Brake Lining Wear Sensor
- Immobilizer
- Single Key with Remote Control and Central Locking
- Home Safe Light
- Approach Light
- Front Fog Lamps
- Tachograph
- Spare Wheel
- Tag Axle Lifting

OPTIONAL EQUIPMENT

- Firefighter Pack
- Transmission Driven PTO Options & Interior Control Unit
- Engine Driven PTO & Interior Control Unit *
- ADR Pack
- Cold Climate Pack
- Auxiliary Cabin Heater (Wet Type)
- Auxiliary Cabin Heater (Dry Type)
- Aluminium Alloy Wheels
- Power Cab Tilting
- Metallic Paint / Special Colors
- RHS Free 5900 Wheelbase Option **
- Digital Tachograph
- Air Conditioner
- Rain Sensor
- Auto Light Sensor

* Available for Firefighter Pack Only

** Available with ADR and 250 lt LHS Fuel Tank

This leaflet includes products designed for Ford vehicles. It provides information about the current technical specifications and the standard or optional accessories available as of the date it was issued. Features of standard and optional accessories of the vehicles may be changed from time to time. For this reason, please consult our Authorized Dealers to obtain updated and accurate information on the features of the vehicle you wish to buy. For the aforementioned reason, this leaflet does not constitute an assurance as to the specifications listed herein. The images used in this leaflet may be different from the vehicles on sale. The technical specifications provided herein are for standard vehicles. Selection of any optional accessories might cause differences from these specifications.