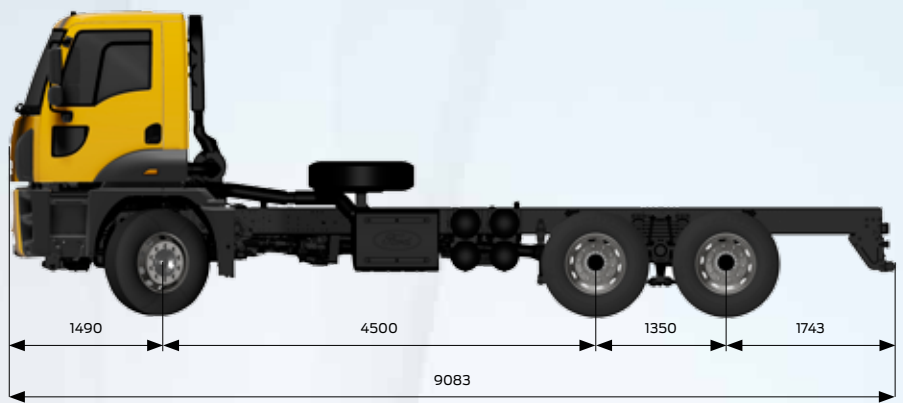


# FORD TRUCKS 3542P EURO6



## Basic Features

Vehicle Type	Concrete Pump
Axle	6x4
Emission	Euro 6
Cabin Type	Day Cab
Wheelbase (mm)	4500

## Engine

Type	Ecotorq 12,7 liters
Displacement (cc)	12740
Bore x Stroke	130 mm x 160 mm
Power	420 PS (308,9 kW) / 1800 rpm
Torque	2150 Nm / 1000-1300 rpm
Compression Ratio	17 +/- 0,5 : 1
Oil Filling Volume	50 L
Coolant Volume	37 L (57 L with Intarder)

## Transmission

Clutch	430 mm Single Disc
Manuel Transmission / Ratios (1. gear - 16. gear)	ZF 16S 2230 (13,805-0,836)

## Steering

Hema ZF 8098 Servocom

## Chassis

Chassis Thickness	10 mm
Chassis Strength	500 MPa
Suspension (Front / Rear)	90 mm Parabolic Leaf Springs / 100 mm Parabolic Tandem Suspension
Axle	Hub Reduction
Axle Ratio	4,08
Tyres	315/80 R 22,5
Wheel Rim	22,5 x 9 Steel

## Braking System

Brakes (Ø mm x mm Length)	410 x 200 Z-Cam Brake System
Braking System	Dual Brake Circuit - Air Processing Unit with Integrated Oil Separator and Heater
Engine Brake Power	max. 340 kW (Engine Level)
Intarder Power	max. 600 kW / Continuous 160 kW

## Electrical System

Battery	24V, 2 x 12V 150 Ah
Alternator / Starter Motor	130 A / 6,5 kW

## Tanks

Fuel Tank	315 L Steel
SCR Tank	55 L

<b>Dimensions (mm)</b>	
Front Overhang	1490
Wheelbase	4500
Overall Length	9083
Distance Between 2 <sup>nd</sup> and 3 <sup>th</sup> Wheel Centers	1350
Overall Cab Length	1820
Overall Vehicle Height	3152
Overall Vehicle Width (Excluding Mirrors)	2540
Chassis Width	770
Rear Overhang	1743
Useful Chassis Length	6690
Chassis Height-Front	225
Chassis Height-Rear	285
Ground Clearance-Front	423
Ground Clearance-Rear	300
Turning Radius	9790

<b>Weights (kg)</b>	<b>1. Axle</b>	<b>2. Axle</b>	<b>3. Axle</b>	<b>Total</b>
Technically Permissible Weights	7500	13400	13400	34000
Kerb Weight	5513	2217	2217	9947
Payload	1987	11183	11183	24053
GVM (Legal)	7500	9500	9500	26000

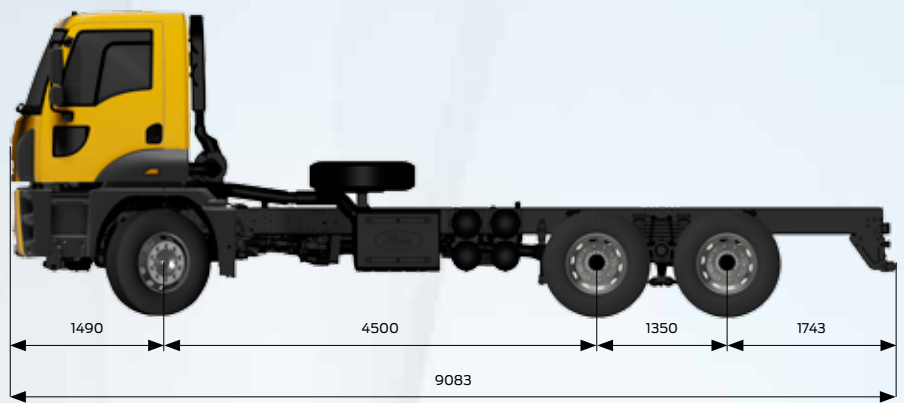
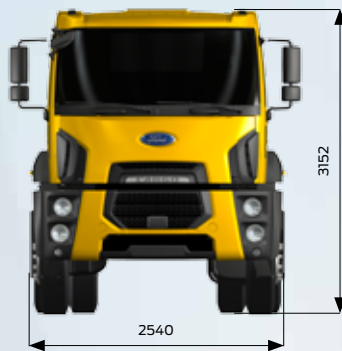
### **STANDARD EQUIPMENT**

- Air Conditioner
- Radio/CD Player
- Cruise Control
- Engine Brake
- Drum Brake
- Electrically Operated Windows
- Electrically Operated and Heated Side Mirrors
- Electrically Operated Headlamp Leveling
- Rake and Reach Adjustable Steering Column
- Heated and Air Suspended Driver Seat
- Lumbar Support
- Manually Operated Sunroof
- Front and Rear Vehicle Antiroll Bars
- Anti-Lock Brake System (ABS)
- Brake Lining Wear Indicator
- Immobilizer
- Single Key with Remote Control and Central Locking
- Home Safe Light
- Approach Light
- Differential Lock
- Digital Tachograph
- Switchable Air Compressor for Improved Fuel Economy
- Rear Window

### **OPTIONAL EQUIPMENT**

- Aluminium Alloy Wheel Rims
- Intarder
- ADR Pack
- Wet Type Cab Heater
- Cold Pack with Wet Type Cab Heater
- Power Cab Tilting
- Transmission Driven PTO Options & Interior Control Unit
- Engine Driven PTO & Interior Control Unit
- Automatic Traction Control (ATC)

# FORD TRUCKS 3542P EURO5



## Basic Features

Vehicle Type	Concrete Pump
Axle	6x4
Emission	Euro 5
Cabin Type	Day Cab
Wheelbase (mm)	4500

## Engine

Type	Ecotorq 12,7 liters
Displacement (cc)	12740
Diameter x Stroke	130 mm x 160 mm
Power	420 PS (308,9 kW) / 1800 rpm
Torque	2150 Nm / 1000-1300 rpm
Compression Ratio	17 +/- 0,5 : 1
Oil Filling Volume	50 L
Coolant Volume	37 L (57 L with Intarder)

## Transmission

Clutch	430 mm Single Disc
Manuel Transmission / Ratios (1. gear - 16. gear)	ZF 16S 2230 (13,805-0,836)

## Steering

Hema ZF 8098 Servocom

## Chassis

Chassis Thickness	10 mm with Reinforcement
Chassis Strength	500 MPa
Suspension (Front/Rear)	90 mm Parabolic Leaf Springs / 100 mm Parabolic Tandem Suspension
Axle	Hub Reduction
Axle Ratio	4,08
Tyres	315/80 R 22,5
Wheel Rim	22,5 x 9 Steel

## Braking System

Brakes (Ø mm x mm Length)	410 x 200 Z-Cam Brake System
Braking System	Dual Brake Circuit - Air Processing Unit with Integrated Oil Separator and Heater
Engine Brake Power	max. 340 kW (Engine Level)
Intarder Power	max. 600 kW / Continuous 160 kW

## Electrical System

Battery	24 V, 2 x 12 V 150 Ah
Alternator / Starter Motor	130 A / 6,5 kW

## Tanks

Fuel Tank	315 L Steel
SCR Tank	55 L

<b>Dimensions (mm)</b>	
Front Overhang	1490
Wheelbase	4500
Overall Length	9083
Distance Between 2 <sup>nd</sup> and 3 <sup>th</sup> Wheel Centers	1350
Overall Cab Length	1820
Overall Vehicle Height	3152
Overall Vehicle Width (Excluding Mirrors)	2540
Chassis Width	770
Rear Overhang	1743
Useful Chassis Length	6690
Chassis Height - Front	225
Chassis Height - Rear	285
Ground Clearance - Front	423
Ground Clearance - Rear	300
Turning Radius	9790

<b>Weights (kg)</b>	<b>1. Axle</b>	<b>2. Axle</b>	<b>3. Axle</b>	<b>Total</b>
Technically Permissible Weights	7500	13400	13400	34000
Kerb Weight	5454	2208	2208	9870
Payload	2046	11192	11192	24130

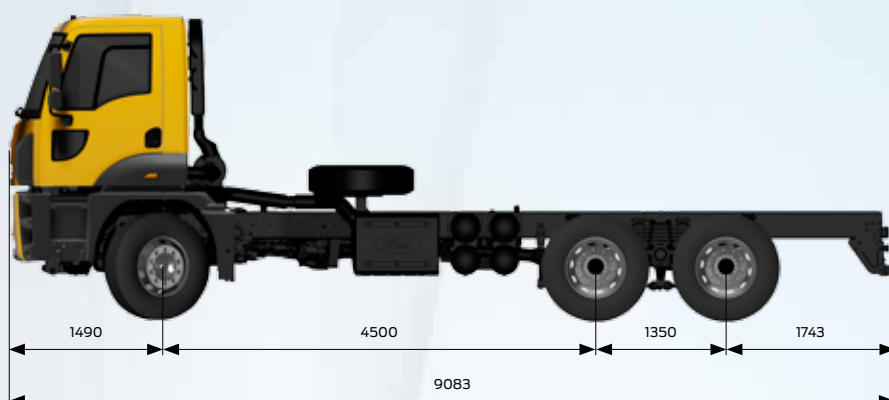
### STANDARD EQUIPMENT

- Radio/CD Player
- Cruise Control
- Disc Brake
- Engine Brake
- Electrically Operated Windows
- Electrically Operated and Heated Side Mirrors
- Electrically Operated Headlamp Leveling
- Rake and Reach Adjustable Steering Column
- Heated and Air Suspended Driver Seat
- Lumbar Support
- Manually Operated Sunroof
- Front and Rear Vehicle Antiroll Bar
- Anti-Lock Brake System (ABS)
- Brake Lining Wear Indicator
- Immobilizer
- Single Key with Remote Control and Central Locking
- Home Safe Light
- Approach Light
- Differential Lock
- Digital Tachograph
- Switchable Air Compressor for Improved Fuel Economy
- Rear Window
- Short Bumper

### OPTIONAL EQUIPMENT

- Air Conditioner
- Aluminium Alloy Wheel Rim
- Intarder
- ADR Pack
- Wet Type Cab Heater
- Cold Pack with Wet Type Cab Heater
- Power Cab Tilting
- Transmission Driven PTO Options & Interior Control Unit
- Engine Driven PTO & Interior Control Unit
- Automatic Traction Control

# FORD TRUCKS 3542P EURO3



## Basic Features

Vehicle Type	Concrete Pump
Axle	6x4
Emission	Euro 3
Cabin Type	Day Cab
Wheelbase (mm)	4500

## Engine

Type	Ecotorq 12,7 Litres
Displacement (cc)	12740
Diameter x Stroke	130 mm x 160 mm
Power	420 PS (308,9 kW) / 1800 rpm
Torque	2150 Nm / 1000-1300 rpm
Compression Ratio	17 +/- 0,5 : 1
Oil Filling Volume	50 L
Coolant Volume	37 L (57 L with Intarder)

## Transmission

Clutch	430 mm Single Disc
Manuel Transmission / Ratios (1. gear - 16. gear)	ZF 16S 2230 (13,805-0,836)

## Steering

Hema ZF 8098 Servocom

## Chassis

Chassis Thickness	10 mm with Reinforcement
Chassis Strength	500 MPa
Suspension (Front / Rear)	90 mm Parabolic Leaf Springs / 100 mm Parabolic Tandem Suspension
Axle	Hub Reduction
Axle Ratio	4,08
Tyres	315/80 R 22,5
Wheel Rim	22,5 x 9 Steel

## Braking System

Brakes (Ø mm x mm Length)	410 x 200, Z-Cam Brake System
Braking System	Dual Brake Circuit - Air Processing Unit with Integrated Oil Separator and Heater
Engine Brake Power	max. 340 kW (Engine Level)
Intarder Power	max. 600 kW / continuous 160 kW

## Electrical System

Battery	24 V, 2 x 12 V 150 Ah
Alternator / Starter Motor	130 A / 6,5 kW

## Tanks

Fuel Tank	315 L Steel
-----------	-------------

<b>Dimensions (mm)</b>	
Front Overhang	1490
Wheelbase	4500
Overall Length	9083
Distance Between 2 <sup>nd</sup> and 3 <sup>th</sup> Wheel Centers	1350
Overall Cab Length	1820
Overall Vehicle Height	3152
Overall Vehicle Width (Excluding Mirrors)	2540
Chassis Width	770
Rear Overhang	1743
Useful Chassis Length	6690
Chassis Height - Front	225
Chassis Height - Rear	285
Ground Clearance - Front	423
Ground Clearance - Rear	300
Turning Radius	9790

<b>Weights (kg)</b>	<b>1. Axle</b>	<b>2. Axle</b>	<b>3. Axle</b>	<b>Total</b>
Technically Permissible Weights	7500	13400	13400	34000
Kerb Weight	5335	2195	2195	9725
Payload	2165	11205	11205	24275

### STANDARD EQUIPMENT

- Radio/CD Player
- Cruise Control
- Drum Brake
- Engine Brake
- Electrically Operated Windows
- Electrically Operated and Heated Side Mirrors
- Electrically Operated Headlamp Leveling
- Rake and Reach Adjustable Steering Column
- Heated and Air Suspended Driver Seat
- Lumbar Support
- Manually Operated Sunroof
- Front and Rear Vehicle Antiroll Bar
- Anti-Lock Brake System (ABS)
- Brake Lining Wear Indicator
- Immobilizer
- Single Key with Remote Control and Central Locking
- Home Safe Light
- Approach Light
- Differential Lock
- Tachograph
- Switchable Air Compressor for Improved Fuel Economy
- Rear Window
- Short Bumper

### OPTIONAL EQUIPMENT

- Air Conditioner
- Aluminium Alloy Wheel Rim
- Intarder
- ADR Pack
- Wet Type Cab Heater
- Cold Pack with Wet Type Cab Heater
- Power Cab Tilting
- Transmission Driven PTO Options & Interior Control Unit
- Engine Driven PTO & Interior Control Unit
- Automatic Traction Control
- Digital Tachograph